

## PET TRAINING TIPS

### Getting Your Pet Used To The New Automatic Feeder

Some pets may require a special adjustment period to acclimate to their new automatic feeder. If you determine that your dog or cat may require a special adjustment period, use the following steps:

- 1) Place the Portion Control LeBistro® next to your pet's existing bowl or feeder. (Do not turn the power on)
- 2) Place food in the bowl of the Portion Control LeBistro® (only for a period of time to allow adjustment)
- 3) Keep food in the pet's current bowl. (only for a period of time to allow adjustment)
- 4) Once you have observed your pet eating from the Portion Control LeBistro®, remove their old feeding dish and begin using the Portion Control LeBistro®.

**NOTE:** Adjustment time for the pet could be as short as a day or as long as a couple of weeks, depending on your pet's personality.

You may also want to introduce your pet to the Portion Control LeBistro® by placing small treats in the bowl.

## REPLACEMENT PARTS

AC Adapter for U.S. and Europe available at [www.petmate.com](http://www.petmate.com)

Replacement Bowls available at [www.petmate.com](http://www.petmate.com)

Replacement Hoppers available at [www.petmate.com](http://www.petmate.com)

## WARRANTY

1 Year Limited

## COUNTRY OF ORIGIN

All parts made and assembled in China.

All packaging made and printed in China.



# LeBistro®

## PORTION CONTROL FEEDER

### ASSEMBLY INSTRUCTIONS:

#### To Assemble Hopper on Base:

- 1) Align hopper with base.
- 2) Insert hopper into base.
- 3) Twist and lock into place.

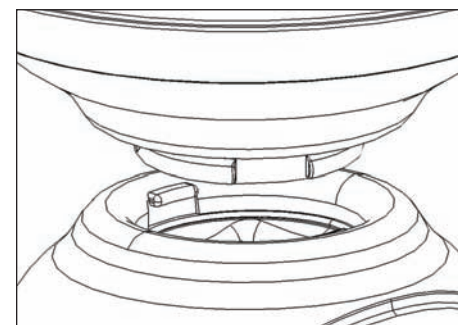
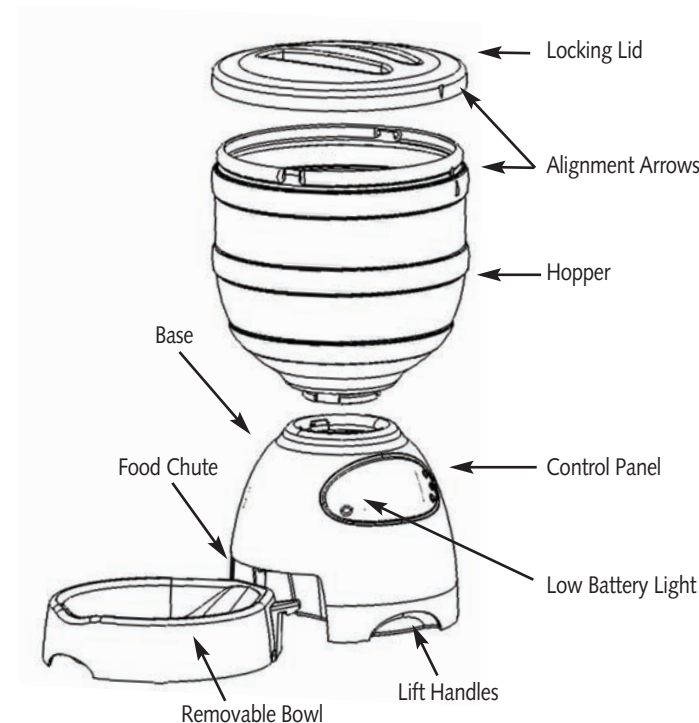
#### To Assemble Lid on Hopper:

- 1) Line up arrows on hopper with arrows on lid.
- 2) Place lid on top of hopper.
- 3) Twist and lock lid into place.

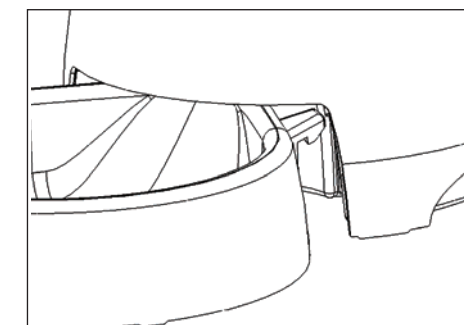
#### To Assemble Bowl into Base:

- 1) Insert bowl into base.
- 2) Lower bowl into base connecting hooks into the base.

(Make sure Portion Control LeBistro® is placed on an even surface)



Close up of Twist and Lock Hopper on Base.



Close up of Bowl hook into Base.

### SPECIFICATIONS:

#### Programming

- Up to three different sized Meals per 24 hours.
- Each Meal Serving is adjustable in 1/4 cup increments. Each Meal can be set from 1/4 cup to 3 cups.
- Default Meal Servings are: Breakfast at 6:00 a.m. Lunch at 12:00 p.m. and Dinner at 6:00 p.m. All Meals are preset for 1/2 cups.

#### Dimensions

15.75"L x 10"W x 18"H (assembled)

#### Capacity

- Hopper (alone) will hold 8.55 lbs of typical variety of dry food.
- Base unit fully loaded, bowl and food wheel will hold additional 1.55 lbs.

#### Wheel Dispensing Capacity

- 1/4 Cup increments or 1 Cup per complete revolution.

#### Overall Weight

- Weight: 3.5 lbs (assembled without batteries and food).

#### Power

- Requires THREE "D" size batteries. Batteries **NOT** included.
- Use only alkaline batteries.
- Estimated life of one set of batteries is 6 months or less.

**Note:** DC Power Converter available as an accessory and can be ordered online at [www.petmate.com](http://www.petmate.com)

#### Types of Food

- Dry dog or cat food only.
- Do **NOT** use canned food. Do **NOT** use moist dog or cat food.
- Do **NOT** use semi-moist food. Do **NOT** use treats.

P. O. Box 1246  
Arlington, Texas USA, 76004-1246  
1-877-PETMATE  
[www.petmate.com](http://www.petmate.com)

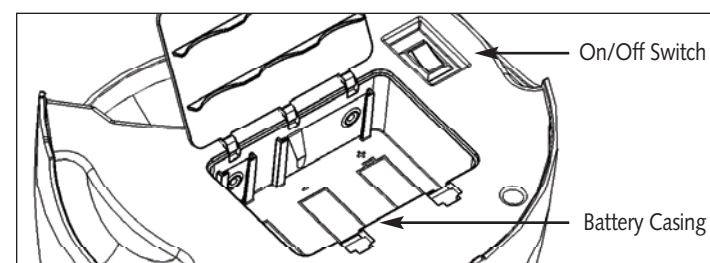
PET 4804

## PROGRAMMING

### READ ALL INSTRUCTIONS BEFORE OPERATING THE PRODUCT.

#### To Install Batteries:

- 1) Turn the base upside down and remove battery cover.
- 2) Install 3 new "D" cell, alkaline batteries.  
(Be sure to match positive and negative markings).
- 3) Replace battery cover. Be sure to "snap" in place.



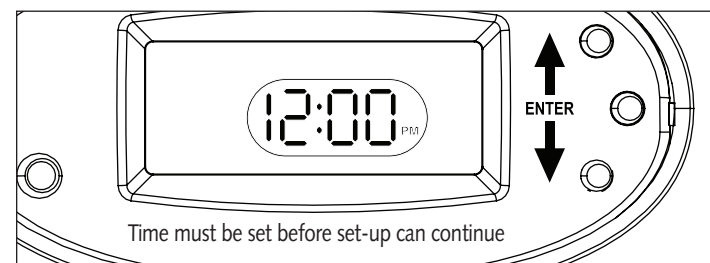
#### To Turn Unit ON:

- 1) Press the (-) side of the On/Off switch **DOWN**. (located on the bottom of the base)
  - 2) Set unit right side up. (LCD screen should be facing you)
- NOTE:** Clock will flash "12:00 A.M." automatically.
- 3) Press **ENTER** button to set current time. First the **HOUR** will be flashing.
  - 4) Use **UP** or **DOWN** arrow buttons to set current **HOUR**. (until it is correct)
- NOTE:** the clock will automatically change to **A.M.** or **P.M.** as you scroll through the hours.
- 5) Press **ENTER** button again and the **MINUTES** will start flashing.
  - 6) Use **UP** or **DOWN** arrow buttons to set current **MINUTES**.
  - 7) Press **ENTER** upon completion.

**NOTE:** Clock will be set after setting minutes and the unit is now in **AUTOMATIC MODE**.

While setting current time, if the programming is not completed the Portion Control LeBistro® waits until the current time is set and will not go into **AUTOMATIC MODE**.

### SETTING ANY MEAL, MEAL TIME and MEAL SIZE:



#### To Set Meal Selection:

- 1) Press and Hold the **ENTER** button for 2 seconds. "**MEALS**" will flash.
- 2) Use **UP** or **DOWN** arrow buttons to select the desired Meal to be programmed. (Breakfast, Lunch or Dinner will flash as UP and DOWN arrows buttons are pressed)
- 3) Press the **ENTER** button after you select the Meal.
  - a) "**Yes**" will Flash. Press the **ENTER** if you want to set the meal time.
  - b) If you do not wish to set that meal time, press the **DOWN** arrow to select "**No**" and press **ENTER**.

**Note:** (if "No" is selected, press **ENTER** and the software takes you back to "**MEALS**". Use **UP** or **DOWN** arrows buttons to select the desired Meal to be programmed)

#### To Set Meal Time:

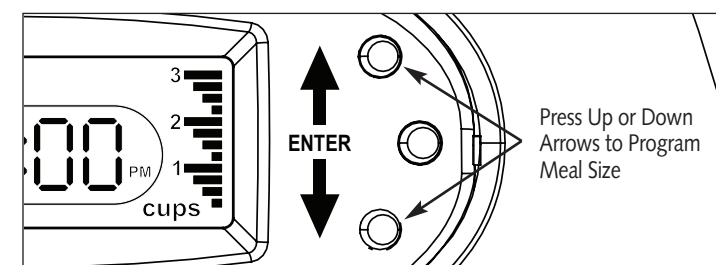
- After selecting the MEAL to be programmed and selecting "**Yes**", the **HOUR** will flash.
- 1) Use **UP** or **DOWN** arrow buttons to set Meal **HOUR**. (until it is correct)
- NOTE:** that clock will automatically change to **A.M.** or **P.M.** as you scroll through the Hours.
- 2) Press **ENTER** button again and the **MINUTES** will start flashing.
  - 3) Use **UP** or **DOWN** arrow buttons to set Meal **MINUTES**.
  - 4) Press **Enter** button when minutes are set.

The Menu will automatically take you to the "Meal Size" programming.

#### To Set Meal Size:

- After setting Meal Time, the "**Meal Size**" Menu will flash. (right side of display)
- 1) Use **UP** or **DOWN** arrow buttons to increase or decrease amount of food to be dispensed. For example; to feed 1 cup meal size, press the **UP** arrow button until 4 bars are displayed.
  - 2) Press **Enter** upon completion. **NOTE:** Each bar equals approximately 1/4 cup. The maximum meal size you may select is 3 cups.

#### To Set Other Meals:



After any Meal has been programmed (inclusive of time and size) "**MEALS**" will flash and Meals programmed will show on screen.

- 1) Clock will display current time.
  - 2) **REPEAT** "Meal Selection" programming directions.
- NOTE:** if you only wish to set 1 Meal, press **ENTER** while "**MEALS**" is flashing and unit will go into **AUTOMATIC MODE**.

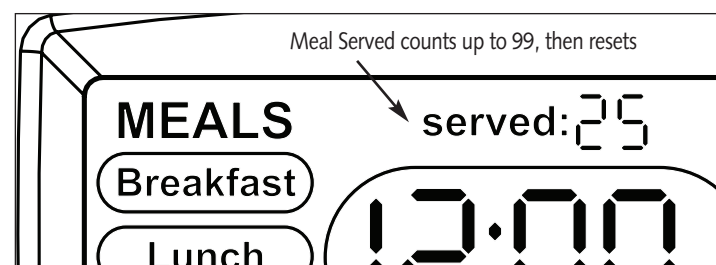
### PROGRAMMING COMPLETE

After all meals are set:

- 1) Press **ENTER**
- NOTE:** After programming of all meals in completed, press **ENTER** while "**MEALS**" is flashing and unit will go into **Automatic Mode**.

#### Meals Served

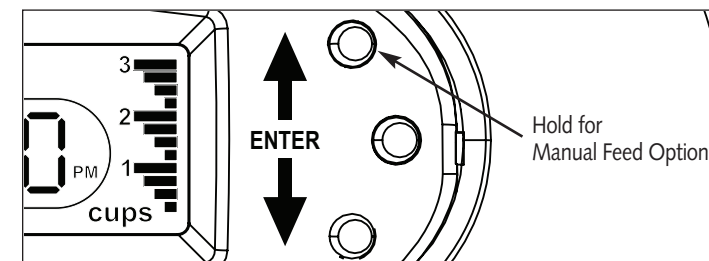
"**SERVED**" will show on screen at all times. This indicates number of Meals served. 1 digit equals 1 meal.  
Meals served will go up to 99 and then reset at 00.  
To re-set the "**SERVED**" counter; press **UP** and **DOWN** Arrow buttons simultaneously and it will re-set to 00.



#### Manual Feed Option

Press and hold **UP** Arrow button for 3 seconds.

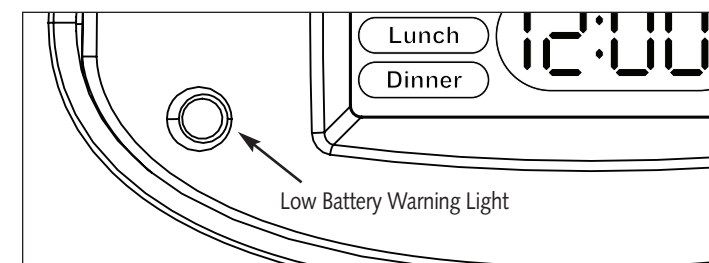
**NOTE:** Food will be dispensed according to first Meal set (i.e. breakfast is set at 1/2 cup, then food will be dispensed in 1/2 cup increments) Repeat if additional food is desired.



#### Replacement of Batteries/Power

- When the "**LOW BATTERY**" warning light is on OR before leaving for an extended period of time, replace the batteries.
- Refer to "**TO INSTALL BATTERIES**" for directions.
- Once **NEW** batteries are installed, turn unit ON.
- Set clock to current time.

**IMPORTANT:** Meal Programming is stored and will **NOT** need to be re-programmed after batteries are replaced.



### CLEANING

#### To Remove Bowl:

- 1) Place fingers under bowl and lift Bowl up.
- 2) Pull Bowl out horizontally removing it from the Base.  
(Bowl is top rack dishwasher safe)

**NOTE:** Lid and Hopper may be removed for cleaning. Hand clean with soft cloth and hand dry.

#### Warning:

Base unit should not be submerged in water at any time, this may damage electronic components.

Do not place Base, Hopper or Lid in an automatic dishwasher.

Allow parts to dry completely before adding new food.

#### Default Settings:

1. While setting "**Time**" during the "**Initial Set-up**"; if the programming is not completed the Portion Control LeBistro® waits for you to finish.
2. While setting the "**Time**" during the "**Change Time**" is not completed and no button depressed for 10 seconds the Portion Control LeBistro® abandons the change and goes into "**Automatic Mode**" retains the previous "**Time**".
3. While setting the "**Meals**" during the "**Initial Set-Up**" if no buttons are depressed for 10 seconds the Portion Control LeBistro® abandons the change and goes into "**Automatic Mode**" retaining the previous "**Meals**" settings.

4. While setting the "**Meals**" during the "**Change Meals**" no buttons are depressed for 10 seconds the Portion Control LeBistro® abandons the change and goes into "**Automatic Mode**" retaining the previous "**Meals**" settings.

### CAUTIONS

Save these instructions for future reference. Read all instructions before operating product.

- For indoor use only.
- For dry food use only. Works best with 1/2" diameter food.
- **NOT** recommended for puppies or kittens less than 7 months old.
- Do **NOT** use this feeder with puppies or kittens not able to reach the feeding dish.
- Do **NOT** use this feeder with puppies, kittens, dogs or cats with any physical disability.
- Intended for use with dogs or cats only.
- Do **NOT** allow small children to play with, in or around feeder.
- Before leaving for extended time, always replace batteries with 3 new, "D" size batteries.
- Do **NOT** immerse control panel base in water.
- Do **NOT** place any foreign object in the feeder.
- Do **NOT** operate feeder without hopper and hopper lid securely in place.
- Feeder should be placed on a level surface.
- Do **NOT** disassemble feeder other than bowl, hopper, hopper lid and battery cover.
- Dispose of all packaging material properly. Some items may be packed in poly bags; these bags could cause suffocation; keep away from children and pets.
- Check the low battery light frequently to be sure the feeder is dispensing properly.

### WARNING

- Do **NOT** place anything on top of feeder. Unit starts automatically. Keep Clear.
- Base unit should **NOT** be submerged in water at any time, this may damage electronic components.

### TROUBLESHOOTING

- 1) If **no display is showing**, turn on power. Refer to "To Turn Unit On" in programming instructions for specifications.
  - 2) If **the clock is flashing**, the unit has lost its power and current time setting.
    - a. Reset current time.
- NOTE:** all previous meal programming does not need to be reset.
- 3) If "**MEALS**" is flashing, this indicates the unit did not completely deliver the full amount of food programmed for the meal.
    - a. Turn unit off, empty the hopper and disassemble the hopper from the base.
    - b. Check for food jamming in the throat of the base.
    - c. Dislodge food jam.
    - d. Re-assemble unit.
    - e. Turn unit on and reset current time.
  - 4) If the "**Low Battery**" indicator light is lit:
    - a. Turn unit off.
    - b. Replace the batteries.
    - c. Turn the unit back on and set current time.

**NOTE:** Meal programming remains and does not need to be reprogrammed.